


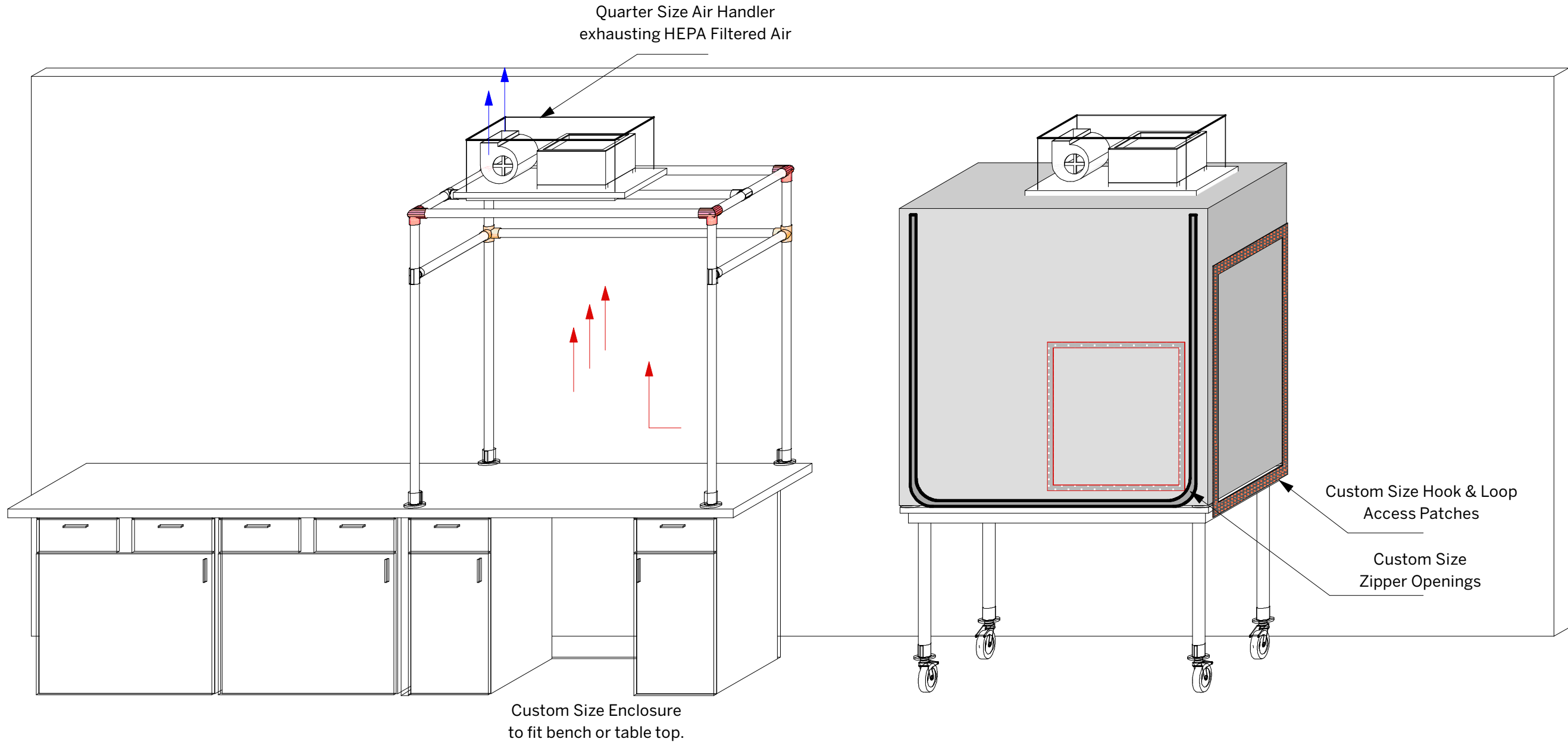


LEGEND

-  Air Handler Power Unit
-  Potentially Contaminated Air
-  HEPA Filtered Air



Quarter Size Air Handler
exhausting HEPA Filtered Air

Custom Size Enclosure
to fit bench or table top.

Custom Size Hook & Loop
Access Patches

Custom Size
Zipper Openings