

TRANSPORT CARTS

The bioBUBBLE Transport Cart is a convertible pressure vehicle that operates under positive, ultra-clean conditions or negative, biocontainment conditions. Operating as a Negative Pressure Transport Cart, it provides transportable biocontainment and dedicated quarantine for materials or small populations. As a Positive Pressure Transport Cart, it provides ultra-clean isolation for small populations or materials. Use the bioBUBBLE Transport Cart as a dedicated vehicle or as a housing environment.



Transport Carts provide:

- Environmental separation between multiple small groups or studies within the same hard room.
- Ultra-clean isolated or biocontained transport through both vivarium and non-vivarium space. Window covers allow for discreet transport of animal models through non-vivarium areas.
- Temporary or permanent housing within procedural rooms, surgical rooms and imaging areas.



Dock custom carts directly to isolators, autoclave containers and bioBUBBLE Enclosures for isolated transfer of clean materials and animals.

Dedicate single units to individual researchers or studies with small populations to maximize space efficiency.

Simplify transport of materials, eliminating the need for time intensive wrapping or bagging procedures.

FEATURES

Lightweight: Aluminum frames and lightweight synthetics are used to create the lightest units on the market.

Portable: Heavy-duty 5" casters with brakes.

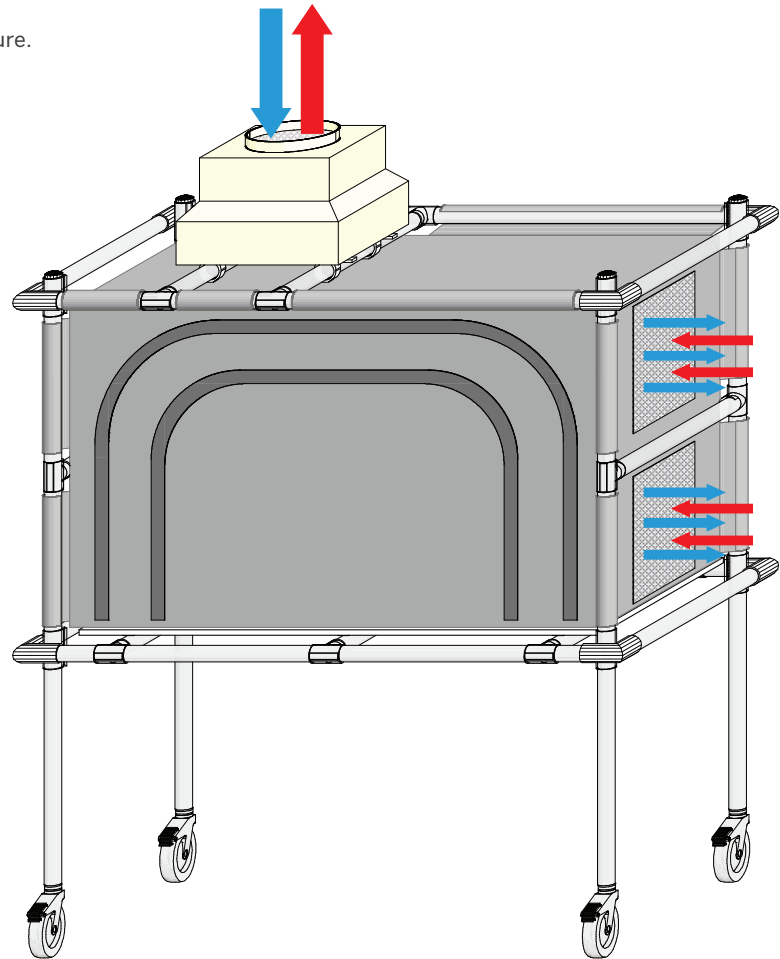
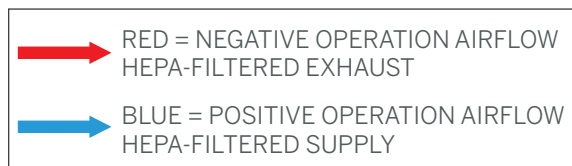
Capacity: 8-10 standard mouse cages; 4-5 standard rat cages. Expandable with shelf option.

Shelf Option: Provides 3x caging capacity for mouse caging and 2x for rat caging.

Convertible Pressure: Operates as positive or negative pressure.

Battery Option: Provides power during transport.

Quiet: Low noise and vibration levels.



TECHNICAL SPECIFICATIONS

Power Requirements:

48 VDC, 1.75A

Airflow: Optimum 100 ACPH

Heat Load: 214 BTU/hr

Weight: 190 lbs [45.4 kg]

Dimensions: 56" x 33" x 63" H [142.2 x 81.3 x 160.0 cm]

HEPA Filtration: 99.99% on 0.3 micron particles- military std MIL-STD-282/ industry std IEST-RP-CC001.5

HEPA Filters: AFH-1515; indicator light feature flashes when HEPA replacement is required. Certify annually.

Prefilters: Change regularly or when visibly dirty